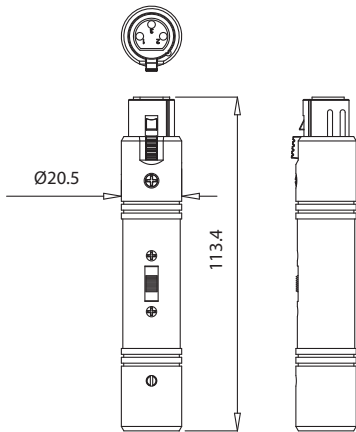


Specifications



JTS®

MA-PRS

Selectable Phase Reversers



JTS® PROFESSIONAL CO., LTD

No. 148, 9th Industry Road, TaLi Industry Park.,
Taichung City 41280, Taiwan (R.O.C.)

TEL: 886-4-24938803 FAX: 886-4-24914890

E-mail: jts@jts.com.tw

www.jts.com.tw



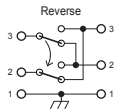
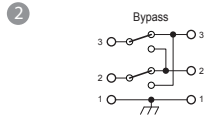
59010-602

Features

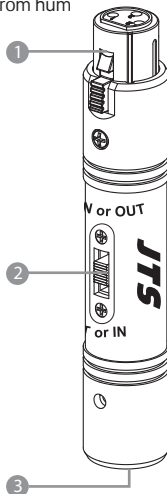
- * Provides instant selection of normal or reversed phase of a balanced line without modification of equipment.
- * Reverse polarity of pins 2 and 3 of a balanced line
- * Slender, in-line XLR (F) to XLR (M) configuration ; may be used in reverse.
- * Requires use of balanced signals
- * Full metal case optimizes shielding from hum

Parts identification

1 XLR (Female) Connector



3 XLR (Male) Connector



Specifications

Connectors

Input : XLR (Female)

Output : XLR (Male)

Impedance

Input : any impedance

Output : any impedance

Level

Input : any level

Output : any level

Dimensions(mm) : 20.5(W)mm*23.5mm(H)*113.4mm(D)

Weight : 40g

