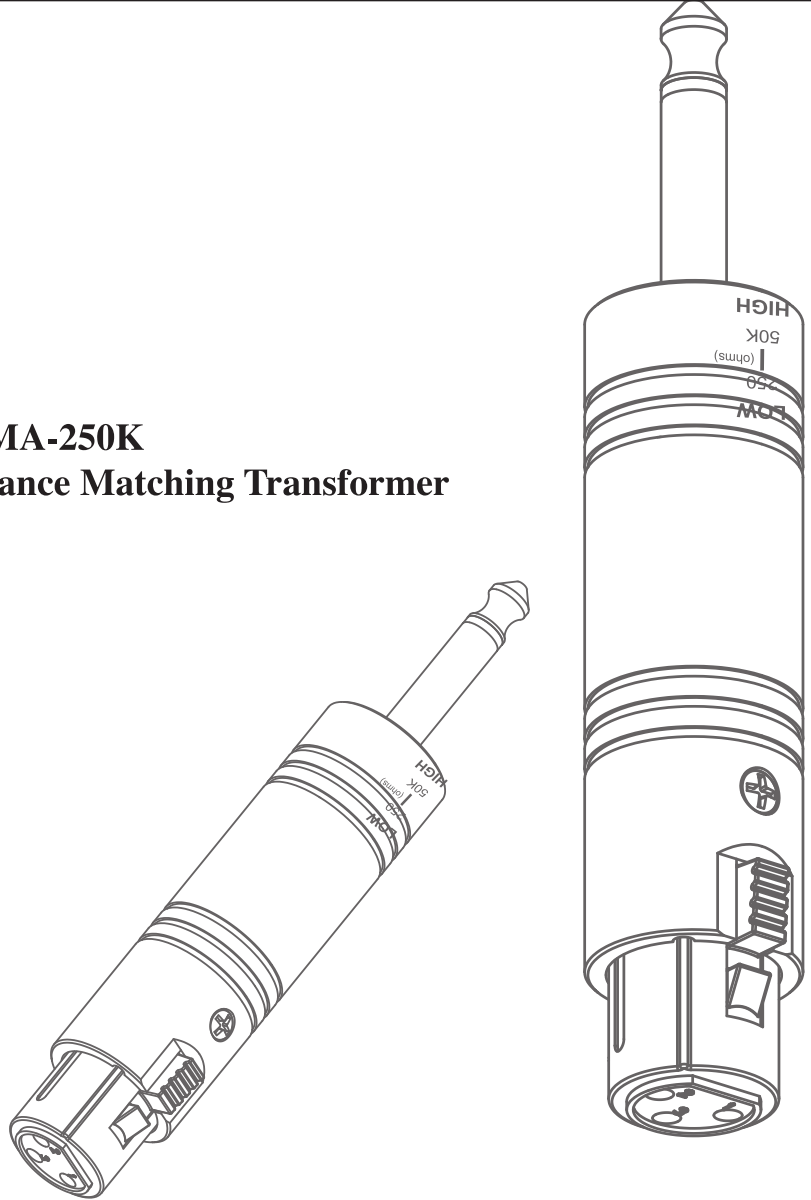


## MA-250K Microphone Impedance Matching Transformer



### FEATURES

- \*Matches a low-impedance microphone to a high-impedance input.
- \*Allows use of long microphone cables.
- \*Maintains high-frequency response.
- \*Reduces noise pickup.
- \*Provides 21dB of voltage gain.

### ELECTRONIC SPECIFICATION

Input Connector: XLR-Female  
 Input Impedance: 250Ω  
 Output Connector: 1/4" plug  
 Output Impedance: 50KΩ

### SYSTEM SPECIFICATIONS

Frequency Response: 20Hz~20KHz  
 Net Weight: 45g  
 Dimension(mm): 110(D)\*20(W)\*23(H)

### DIMENSIONS

